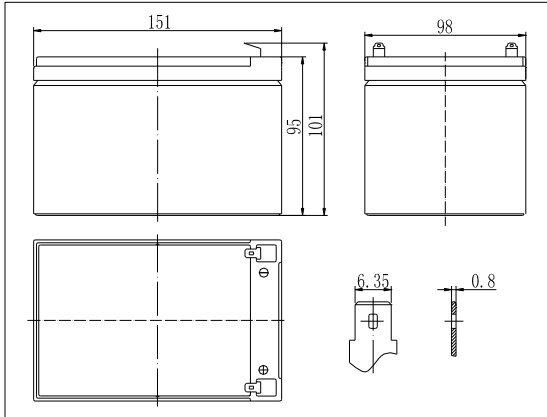
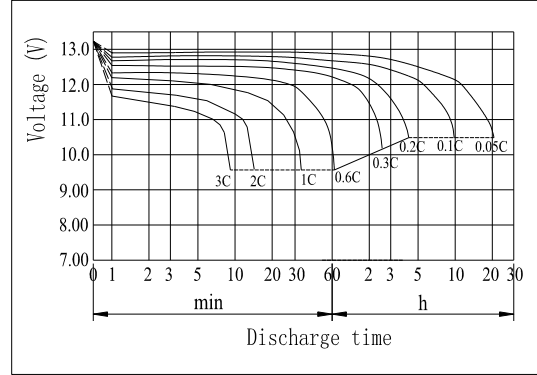


**Dimensions**



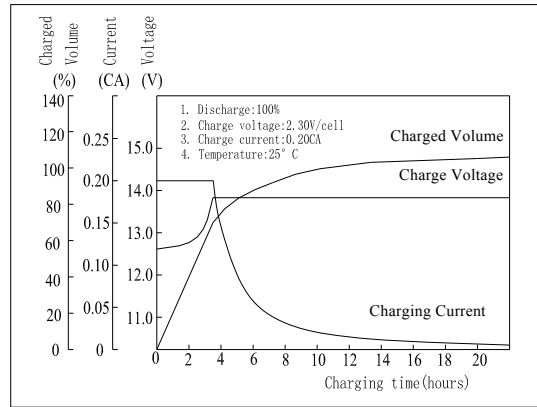
**Discharge Characteristics(25°C)**



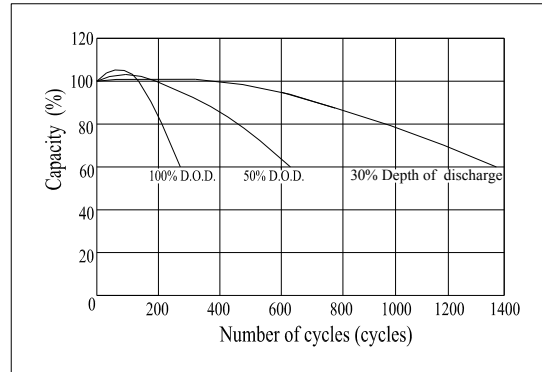
**Specifications**

Nominal Voltage		12 V
Capacity(20HR, 25°C)		12 Ah
Dimension	Length	151mm (5.94inch)
	Width	98mm (3.86inch)
	Height	95mm (3.74inch)
	Total Height	101mm (3.98inch)
Approx. Weight		4.1kg (9.04lbs)
Internal resistance (Fully charged, 25°C)		Approx. 17m Ω
Capacity affected by temperature (20HR)	40°C	102%
	25°C	100%
	0°C	85%
	-15°C	65%
Self-discharge (25°C)	3 month	Remaining Capacity: 91%
	6 month	Remaining Capacity: 82%
	12 month	Remaining Capacity: 65%
Nominal temperature range		25°C ± 3°C (77°F ± 5°F)
Operation temperature range		-15°C ~ 50°C (5°F ~ 122°F)
Float charging voltage(25°C)		13.60 to 13.80V
Cyclic charging voltage(25°C)		14.50 to 14.90V
Maximum charging current		4.8A
Terminal material		Copper
Maximum discharge current		180A(5 sec.)

**Charging Characteristics(25°C)**



**Cycle Life(25°C)**



- ◆ Absorbent glass mat technology;
- ◆ Recognized by UL & CE;
- ◆ Flame retardant ABS container (UL94V-0/ 94V-2).

Note: Floating life at 25°C designed for 3 to 5 years.

**Constant Current Discharge Characteristics (A, 25°C)**

F.V/TIME	5min	10min	15min	30min	60min	3h	5h	10h	20h
9.60V	57.1	38.8	26.3	16.7	9.29	3.65	2.23	1.21	0.65
10.2V	54.3	36.8	25.2	16.0	8.92	3.60	2.20	1.20	0.65
10.8V	51.0	34.6	23.9	15.2	8.47	3.53	2.16	1.18	0.64

**Constant Power Discharge Characteristics (Watt, 25°C)**

F.V/TIME	5min	10min	15min	30min	60min	3h	5h	10h	20h
9.60V	637	437	299	191	108	42.9	26.6	14.5	7.80
10.2V	606	415	287	183	103	42.3	26.3	14.4	7.80
10.8V	569	390	273	174	98.1	41.5	25.8	14.2	7.68